

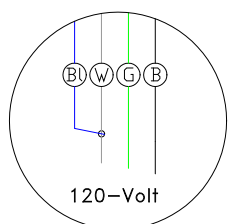
LIGHT RECP.
"WHITE 2-PIN" AMP

SYSTEM MIS-WIRE

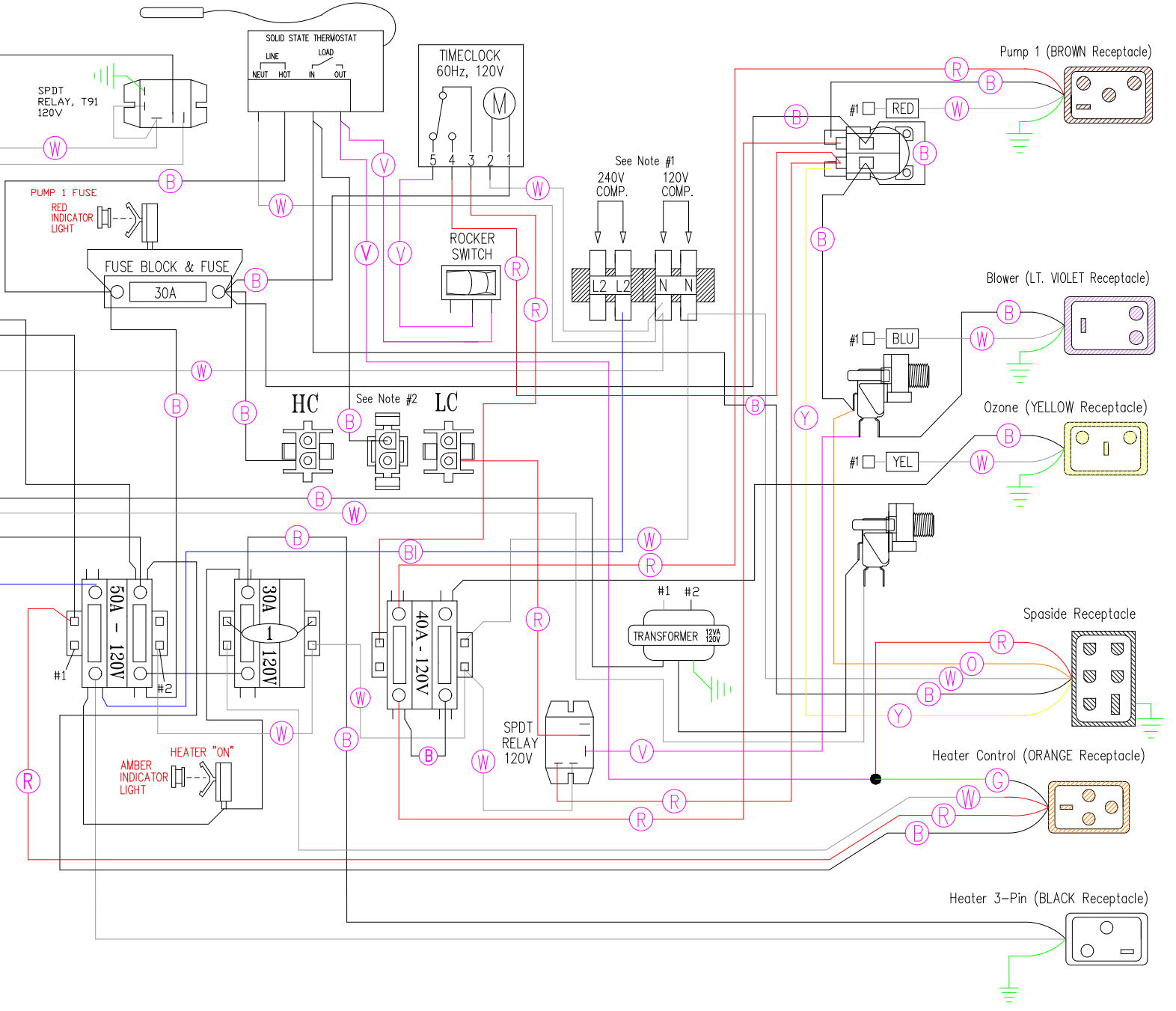
RED INDICATOR LIGHT

HIGH-LIMIT TRIPPED

RED INDICATOR LIGHT



LINE 1 — B
LINE 2 — BL
NEUTRAL — W
GROUND —



HYDRO QUIP
CORONA, CA (909) 273-7575

Dwg. No. 506G0-DKS5
Drawn MBS
Rev 2
Date 07.24.07
Diagram No. 7502D

Manufacture Notes: #1 - Universal System, connecting the White/Component receptacle wire to the corresponding position on the Universal Terminal Block determines component voltage.
#2 - Low Current (heater off w/high-speed pump or blower) or High Current (no heater restriction)

Wire Color Code	
B - Black	G - Green
Br - Brown	Bl - Blue
R - Red	V - Violet
O - Orange	W - White
Y - Yellow	Gr - Gray